

35 P

Compact Excavator



JOHN DEERE





SMALLER MACHINE, BIGGER POTENTIAL

When you need more from your compact excavator, the John Deere 35 P-Tier might be your “one and done.” This small-but-mighty muscle specializes in making work in close quarters seem like no big deal. Loaded with customer-inspired ideas like significant lift and reach, precise control, and an amazingly comfortable cab, digging, excavating, and loading tasks become big possibilities. Plus it runs quiet, too. Jobsite-proven standard and optional advantages including your choice of tracks and John Deere attachments push the 35 P-Tier to make a sizable impact on the potential — and profitability — of your operation.



Quiet comfort and control

Spacious operator station has a wide entryway and backhoe- to excavator-style controls. Swing boom and foldable travel pedals are positioned for efficient operation and comfortable foot room. Noise-reducing muffler and isochronous high-idle speed help keep things noticeably quiet. Rubber cab mounts isolate the operator from noise and vibration.

Start from zero

Zero-tail-swing design maximizes maneuverability and performance in tight places such as urban and residential areas. Compact stature permits easy transport between jobsites, perfect for “dig-and-go” projects.

Resource management

Auto-idle automatically reduces engine speed when hydraulics aren't in use. Auto shutdown conserves precious fuel. Power/economy modes optimize power for digging applications, further improving fuel efficiency.

Get back to it

Standard backfill blade enables the 35 P-Tier to grade and fill, boosting machine versatility and stability when using attachments or working on uneven terrain.

Swing for the fences

Put the 35 P-Tier's independent-swing boom and 360-degree rotation to work taming difficult tasks. Impressive lift height and reach ease truck loading.



**RUBBER CAB MOUNTS
HELP ISOLATE OPERATOR
FROM NOISE & VIBRATION**

Handy hydraulics

Standard quick-coupler-equipped, boom-mounted auxiliary hydraulic lines simplify attachment hookup. Return-flow selector valve accommodates hydraulic-driven attachments that operate either one or two ways. Wedge-style coupler enables swift changes of a wide range of buckets and attachments, such as hydraulic hammers, plate compactors, and augers.

Safe travels

No operator activation is required for high-speed travel. Track speeds automatically slow to low whenever a heavier load is encountered, then return to high when the load normalizes.

Designed for durability

Heavy-duty side shields deflect material and impacts, protecting boom/blade cylinders and drive motors. Single-pin swing-post increases boom rigidity. Reinforced D-channel side frames and heavy-duty X-frame help extend wear life.

Maintenance made easy

Hinged door provides wide-open access to the side-by-side oil cooler and radiator. Operator station tilts forward 50 degrees to reach the swing motor, hydraulic control valve, engine starter motor, and alternator. Extended service intervals allow the machine to work longer before maintenance is needed.

Make the most of your investment

Already own some John Deere attachments? Many models including buckets, hydraulic hammers, and augers also work on other compact machines so you can redefine fleet utilization — and your bottom line.



35 P-TIER COMPACT EXCAVATOR



MATCH YOUR TRACK TO THE APPLICATION

The choice is yours

Rubber tracks traverse virtually any terrain, including paved surfaces. Optional rubber grousers combine work-anywhere flexibility with steel-track serviceability. Steel tracks and steel tracks with rubber pads are also available.

Connected machines

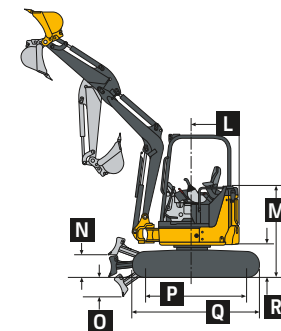
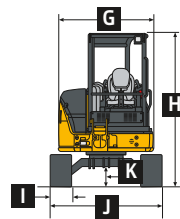
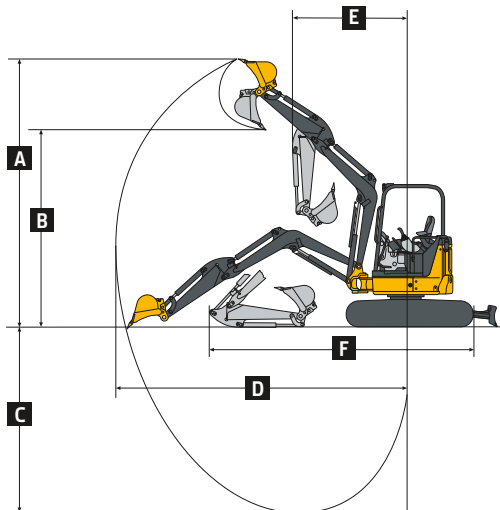
John Deere construction equipment comes with in-base connectivity – free from subscriptions or annual renewals. Analyze critical machine data, track utilization, review diagnostic alerts, and more from **the John Deere Operations Center™**. The Operations Center also enables **John Deere Connected Support™**, which uses data from thousands of connected machines to proactively address issues before they arise. Your dealer can also remotely monitor machine health, diagnose problems, and even update machine software without a trip to the jobsite.*

*Availability varies by region and product. Options not available in every country.



While general information, pictures, and descriptions are provided, some illustrations and text may include product options and accessories NOT AVAILABLE in all regions, and in some countries products and accessories may require modifications or additions to ensure compliance with the local regulations of those countries.

Engine		35 P-TIER		
Manufacturer and Model	Yanmar 3TNV88F	Displacement	1.642 L (100.2 cu. in.)	
Non-Road Emission Standard	EPA Final Tier 4/EU Stage IV	Net Power (ISO 9249)	17.4 kW (23.3 hp) at 2,400 rpm	
Powertrain				
Each track independently driven by hydrostatic axial-piston motor connected to 2-stage planetary gear-reduction box				
Maximum Travel Speed	Low: 2.8 km/h (1.7 mph) / High: 4.3 km/h (2.7 mph)			
Hydraulics				
Open center with 2 variable-displacement pumps and 1 fixed-gear pump		Auxiliary Flow	61.2 L/m (16.2 gpm)	
Pump Flow		Controls	2 hydraulic pilot-operated controls for boom, arm, bucket, swing, boom swing, travel, and auxiliary functions	
Piston	2 x 38.4 L/m (2 x 10.1 gpm)			
Gear	22.8 L/m (6.0 gpm)			
Electrical				
Alternator Rating	55 amp			
Work Lights	2 halogen: 1 mounted on operator's station and 1 mounted on boom			
Undercarriage				
Track, Rubber	300 mm (12 in.)			
Ground Pressure				
	<i>1315-mm (4 ft. 4 in.) Standard Arm and Standard Counterweight</i>	<i>1715-mm (5 ft. 8 in.) Long Arm and Extra Counterweight</i>		
	<i>With Canopy</i>	<i>With Cab</i>	<i>With Canopy</i>	<i>With Cab</i>
With Rubber Track	32.0 kPa (4.6 psi)	33.0 kPa (4.8 psi)	33.7 kPa (4.9 psi)	35.2 kPa (5.1 psi)
Upperstructure				
Swing Speed	9.0 rpm			
Independent Swing Boom	<i>Canopy</i>	<i>Cab</i>		
Left	72 deg.	62 deg.		
Right	62 deg.	62 deg.		
Swing Brake	Spring applied, hydraulically released, automatic, disc type			
Serviceability				
Refill Capacities		Refill Capacities (continued)		
Fuel Tank	42 L (11.1 gal.)	Engine Oil With Filter	7.2 L (7.6 qt.)	
Cooling System	5.0 L (5.3 qt.)	Hydraulic Tank	32 L (8.5 gal.)	
Operating Weights				
	<i>1315-mm (4 ft. 4 in.) Standard Arm and Standard Counterweight</i>	<i>1715-mm (5 ft. 8 in.) Long Arm and Extra Counterweight</i>		
	<i>With Canopy</i>	<i>With Cab</i>	<i>With Canopy</i>	<i>With Cab</i>
With Full Fuel Tank and 79-kg (175 lb.) Operator	3520 kg (7,760 lb.)	3690 kg (8,135 lb.)	3783 kg (8,340 lb.)	3953 kg (8,715 lb.)
Optional Angle Blade	296 kg (653 lb.)	296 kg (653 lb.)	296 kg (653 lb.)	296 kg (653 lb.)
Counterweight				
Standard	540 kg (1,190 lb.)	540 kg (1,190 lb.)	540 kg (1,190 lb.)	540 kg (1,190 lb.)
Additional	240 kg (529 lb.)	240 kg (529 lb.)	240 kg (529 lb.)	240 kg (529 lb.)
Operating Dimensions				
	<i>1315-mm (4 ft. 4 in.) Standard Arm and Canopy</i>	<i>1315-mm (4 ft. 4 in.) Standard Arm and Cab</i>	<i>1715-mm (5 ft. 8 in.) Long Arm and Canopy</i>	<i>1715-mm (5 ft. 8 in.) Long Arm and Cab</i>
A Maximum Cutting Height	4.87 m (16 ft. 0 in.)	4.70 m (15 ft. 5 in.)	4.95 m (16 ft. 3 in.)	4.74 m (15 ft. 7 in.)
B Maximum Dumping Height	3.46 m (11 ft. 4 in.)	3.31 m (10 ft. 10 in.)	3.57 m (11 ft. 9 in.)	3.39 m (11 ft. 1 in.)
C Maximum Digging Depth	3.06 m (10 ft. 0 in.)	3.06 m (10 ft. 0 in.)	3.46 m (11 ft. 4 in.)	3.46 m (11 ft. 4 in.)
D Maximum Digging Reach	5.21 m (17 ft. 1 in.)	5.21 m (17 ft. 1 in.)	5.52 m (18 ft. 1 in.)	5.52 m (18 ft. 1 in.)
E Minimum Front Swing Radius	2.08 m (6 ft. 10 in.)	2.24 m (7 ft. 4 in.)	2.19 m (7 ft. 2 in.)	2.30 m (7 ft. 7 in.)
F Transport Length	4.64 m (15 ft. 3 in.)	4.64 m (15 ft. 3 in.)	4.75 m (15 ft. 7 in.)	4.75 m (15 ft. 7 in.)
Digging Force (ISO)				
Arm	19.0 kN (4,277 lb.)	19.0 kN (4,277 lb.)	16.9 kN (3,792 lb.)	16.9 kN (3,792 lb.)
Bucket	27.1 kN (6,085 lb.)	27.1 kN (6,085 lb.)	27.1 kN (6,085 lb.)	27.1 kN (6,085 lb.)



While general information, pictures, and descriptions are provided, some illustrations and text may include product options and accessories NOT AVAILABLE in all regions, and in some countries products and accessories may require modifications or additions to ensure compliance with the local regulations of those countries.

Machine Dimensions <i>(see line art at bottom right of page 6)</i>		35 P-TIER	
G Upperstructure Width	1.55 m (5 ft. 1 in.)	M Engine Cover Height	1.53 m (5 ft. 0 in.)
H Overall Height		N Maximum Blade Lift Above Ground	360 mm (14.2 in.)
Canopy	2.48 m (8 ft. 2 in.)	O Maximum Blade Drop Below Ground	400 mm (15.7 in.)
Cab	2.48 m (8 ft. 2 in.)	Blade	
I Track Width	300 mm (12 in.)	Width	1.74 m (5 ft. 9 in.)
J Undercarriage Width	1.74 m (5 ft. 9 in.)	Height	373 mm (14.7 in.)
K Ground Clearance	280 mm (11 in.)	P Sprocket Center to Idler Center	1.66 m (5 ft. 5 in.)
L Tail Swing Radius		Q Undercarriage Length	2.11 m (6 ft. 11 in.)
With Standard Arm	870 mm (34 in.)	R Counterweight Clearance	550 mm (22 in.)
With Long Arm and Extra Counterweight	980 mm (39 in.)		

Lift Capacities

Boldface type indicates hydraulically limited capacity; lightface type indicates stability-limited capacities, in kg (lb.). All lift capacities are based on ISO 10567 (with power boost). Lifting measurement from center of arm to bucket pin; with 400-mm (16 in.) track shoe and blade on ground; and situated on firm, level, uniform supporting surface. Total load includes weight of cables, hook, etc. Figures do not exceed 87 percent of hydraulic capacities or 75 percent of weight needed to tip machine.

Ground Level at 3.05-m (10 ft.) Radius	Canopy and Standard Counterweight		Cab and Standard Counterweight		Canopy and Extra Counterweight		Cab and Extra Counterweight	
	Over Front	Over Side	Over Front	Over Side	Over Front	Over Side	Over Front	Over Side
1315-mm (4 ft. 4 in.) Standard Arm	1568 kg (3,453 lb.)	641 kg (1,412 lb.)	1568 kg (3,453 lb.)	684 kg (1,506 lb.)	1568 kg (3,453 lb.)	765 kg (1,686 lb.)	1568 kg (3,453 lb.)	808 kg (1,780 lb.)
1715-mm (5 ft. 8 in.) Long Arm	1501 kg (3,307 lb.)	630 kg (1,388 lb.)	1501 kg (3,307 lb.)	672 kg (1,481 lb.)	1501 kg (3,307 lb.)	755 kg (1,662 lb.)	1501 kg (3,307 lb.)	797 kg (1,756 lb.)

Additional equipment

Key: ● Standard ▲ Optional or special

See your John Deere dealer for further information.

35 P Engine

- Meets EPA Final Tier 4/EU Stage IV emissions
- Auto shutdown
- Engine coolant to -37 deg. C (-34 deg. F)
- Engine preheater
- Fan guard
- Fuel/water separator
- Full-flow oil filter
- Isolation mounted
- Key start switch with electric fuel shutoff
- Single dry-type air filter

Hydraulic System

- Auto-idle
- Auxiliary function right-hand pilot-lever control
- Auxiliary hydraulic lines with quick-couplers to end of boom
- Auxiliary return-flow selector valve
- Axial-piston swing motor
- Boom-swing foot control
- Excavator-to-backhoe control pattern change valve
- Open center with 2 variable-displacement pumps and 1 fixed-gear pump
- Hydraulic pilot-operated controls for boom, arm, bucket, swing, boom swing, blade, travel, and auxiliary functions
- Wet-disc swing brake

Undercarriage

- Planetary final drive
- Propel motor shield
- 2-speed axial-piston propel motors

35 P Undercarriage (continued)

- Rubber track, 300 mm (12 in.)
- ▲ Steel track, 300 mm (12 in.) with triple semi-grousers
- ▲ Rubber crawler pad, 300 mm (12 in.)

Upperstructure

- 360-deg. rotation
- Counterweight, 540 kg (1,190 lb.)
- Hinged service-access doors
- ROPS/TOPS/FOPS (canopy)
- ▲ ROPS/TOPS/FOPS (cab) with air conditioning and heater
- Vandal protection for service doors, fuel cap, and toolbox
- Zero-tail-swing configuration

Front Attachments

- Arm, 1315 mm (4 ft. 4 in.)
- ▲ Long arm, 1715 mm (5 ft. 8 in.), includes additional 240-kg (529 lb.) counterweight
- Articulation hose shield
- Backfill blade, 1.74 m (5 ft. 9 in.)
- ▲ Hydraulic angle backfill blade
- Boom, 2.465 m (8 ft. 1 in.)
- Mechanical quick-coupler
- ▲ Augers: Planetary / Chain drive / Bits / Bit adapters
- ▲ Clamp
- ▲ Hammers: Points / Tools
- ▲ Quick-coupler buckets: Bucket teeth / Ditching / Heavy-duty

Operator's Station

- Horn
- Hour meter

35 P Operator's Station (continued)

- Instrumentation lights
- Mode selectors (illuminated): Power mode (I) / Economy mode (I)
- Monitor system: Preheat indicator / Engine oil pressure indicator with alarm / Alternator voltage indicator / Fuel gauge and low-fuel-level indicator / Engine coolant temperature gauge and engine coolant temperature indicator with alarm / Hour meter / Work lights indicator
- Motion alarm with cancel switch
- Work lights switch
- Propel levers and foldable pedals
- 2 travel speeds with automatic shifting
- Seat belt, 51 mm (2 in.), retractable
- ▲ Seat belt, 76 mm (3 in.), retractable
- Vinyl seat with fore/aft adjustment
- ▲ Suspension seat (cloth)
- ▲ Front screen
- ▲ Rear secondary exit kit

Electrical

- 12-volt accessory outlet
- Alternator, 55 amp
- Low-maintenance battery
- Blade-type multi-fused circuits
- Positive-terminal battery covers
- ▲ JDLink™ connectivity hardware and John Deere Operations Center™ account

Lights

- Work lights: Halogen / 1 mounted on operator's station / 1 mounted on boom

Net engine power is with standard equipment including air cleaner, exhaust system, alternator, and cooling fan at test conditions per ISO 9249.

These machines are not equipped with spark-arrestor mufflers. Usage in forestry applications is not recommended. Specifications and design subject to change without notice. Wherever applicable, specifications are in accordance with SAE standards. Except where otherwise noted, these specifications are based on a canopy unit with standard arm; 610-mm (24 in.), 0.11-m³ (4.0 cu. ft.) bucket; 300-mm (12 in.) rubber track; and 540-kg (1,190 lb.) counterweight; full fuel tank; and 79-kg (175 lb.) operator.




ME35PAU (23-07)

 **JOHN DEERE**